

MAUCAST PORCELAIN ENAMEL 60" X 30" X 16 5/8" BATHTUB



011-3344 RH DRAIN, SLIP-RESISTANT
011-3345 LH DRAIN, SLIP-RESISTANT

DESCRIPTION:

The Maucast is a 60" x 30" x 16 5/8" bathtub encased with a SYNIRON 2 composite backed material. The Maucast is "the affordable alternative to cast iron" designed to improve heat retention, prevent handling and installation damage. The Maucast has a 35 degree lumbar support for a more comfortable bathing experience. Construction is one piece heavy gauge seamless steel with an acid resistant porcelain enamel finish. The Maucast weighs 86 lbs., easy to install into a bathtub alcove - "just set it and level it". The full length support pad offers added strength and sound deadening. This product is compatible or complies with ASME A112.19.1/CSA B45.2 (Standard for Enameled Steel Plumbing Fixtures), ADA (American Disabilities Act), ASTM F 462 (Safety Specification for Slip Resistant Bathing Facilities), ASTM E 162 (Test Method for Surface Flammability), ASTM E 662 (Test Method for Smoke Density), ANSI Z124.1.2sec5.6 (Ignition Test), WW-P 541 (U.S. Military Federal Specification), HUD-FHA-VA, LEED, and the Buy American Act, as applicable when installed accordingly. Available in white, bone and biscuit colors with a right and left drain. Made in the USA.

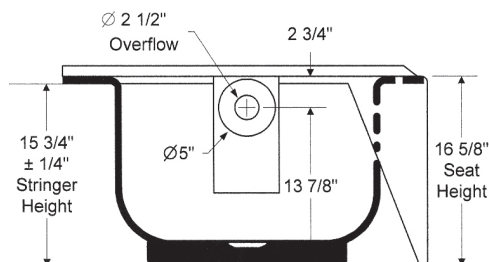
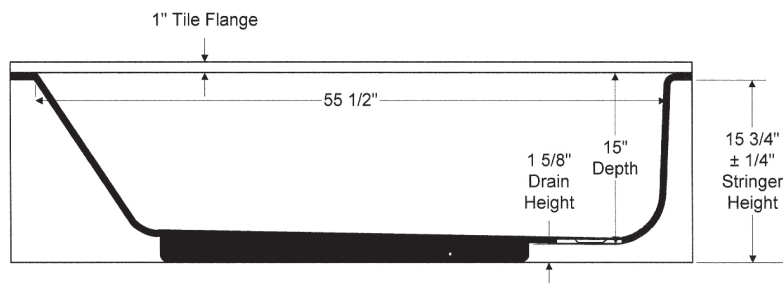
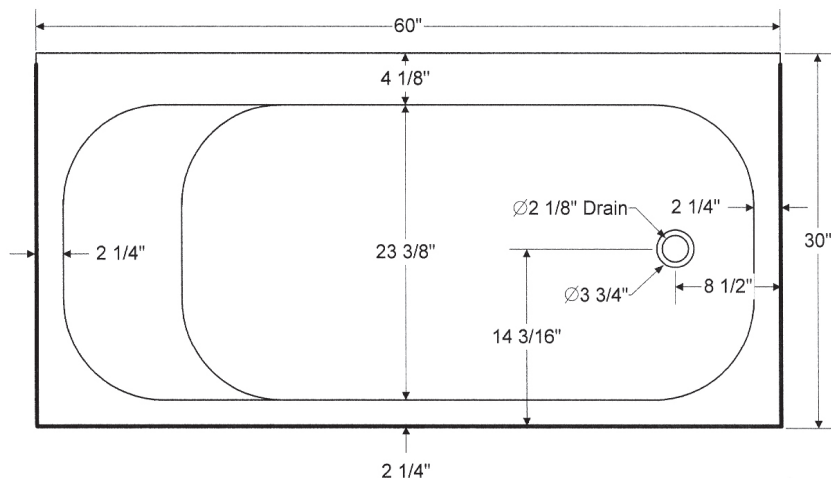
Weight: 86 lbs



MAUCAST PORCELAIN ENAMEL 60" X 30" X 16 5/8" BATHTUB

Mauicast 5' Bathtub 60" x 30" x 16 5/8" Standard Outlet

011-3344 RH Drain, slip-resistant
011-3345 LH Drain, slip-resistant



Complies with:

All fixtures are compatible or comply with ANSI, ASME, CSA, WW-P 541, HUD-FHA-VA, LEED and the "Buy America Act" where applicable when installed accordingly.

Standard Features:

"The affordable alternative to cast iron"
Full length sound deadening pad
Slip resistant bottom
Set it and level it

Made in the USA

All Dimensions +/- 1/8" unless otherwise noted.
Dimensions shown are for reference.
Actual dimensions may vary slightly and should be checked prior to installation
SS 5/14

